

FIGURE 8

MEASURED TOWER I IMPEDENCE
KCCO - 1050 KC - LAWTON, OKLA.
250 Watts
DA - D

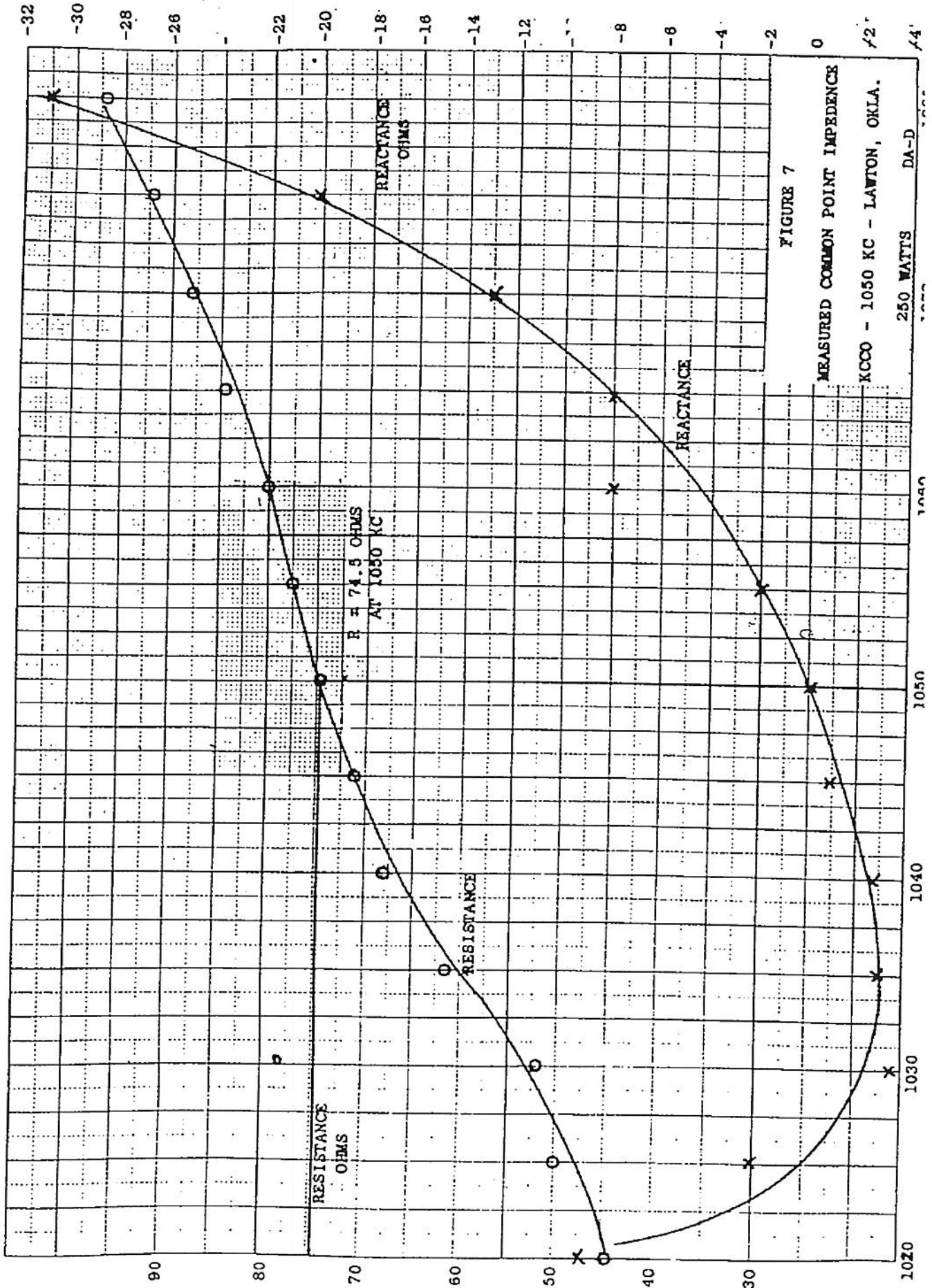


FIGURE 7

MEASURED COMMON POINT IMPEDANCE
KCCC - 1050 KC - LAWTON, OKLA.

250 WATTS

DA-D

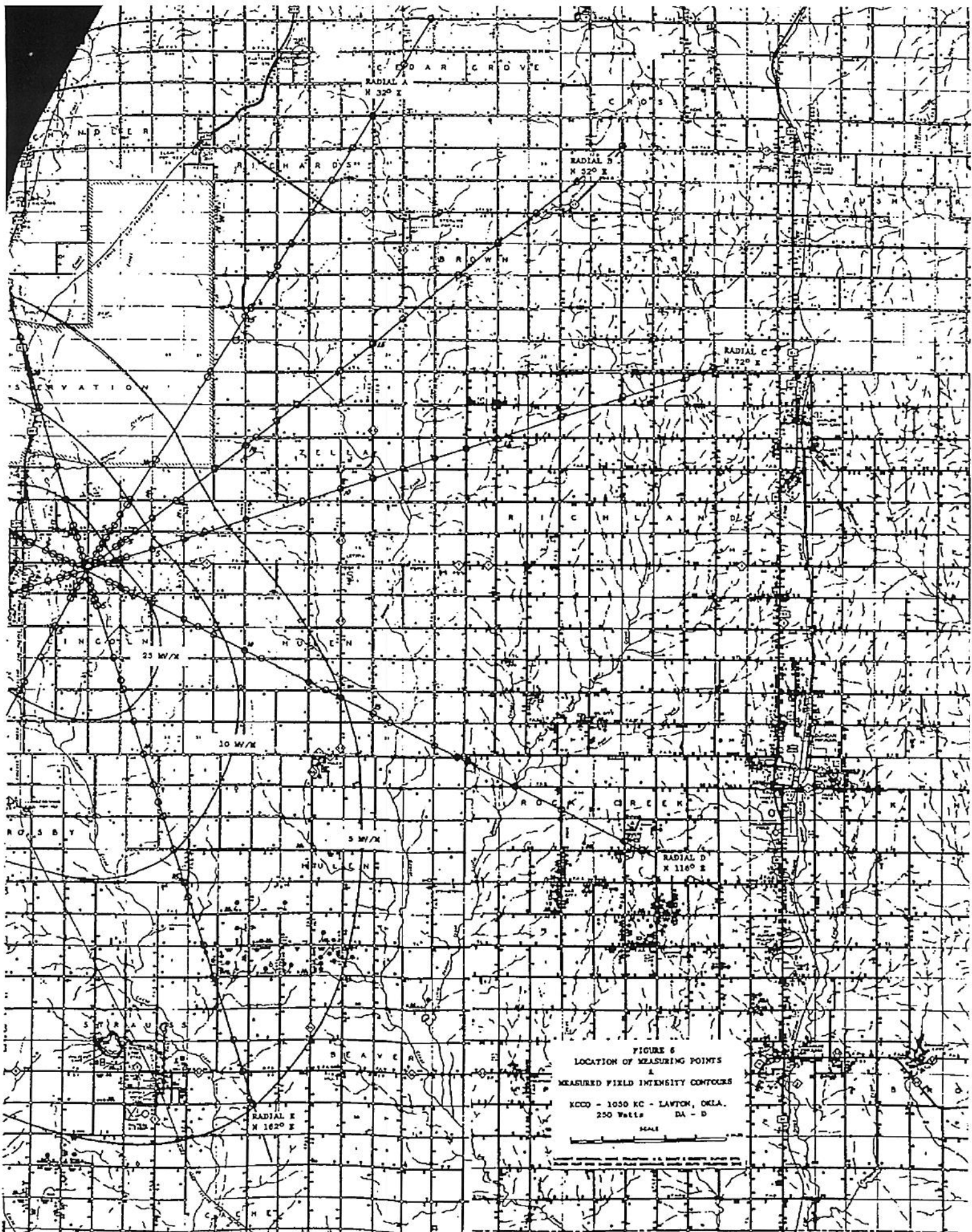
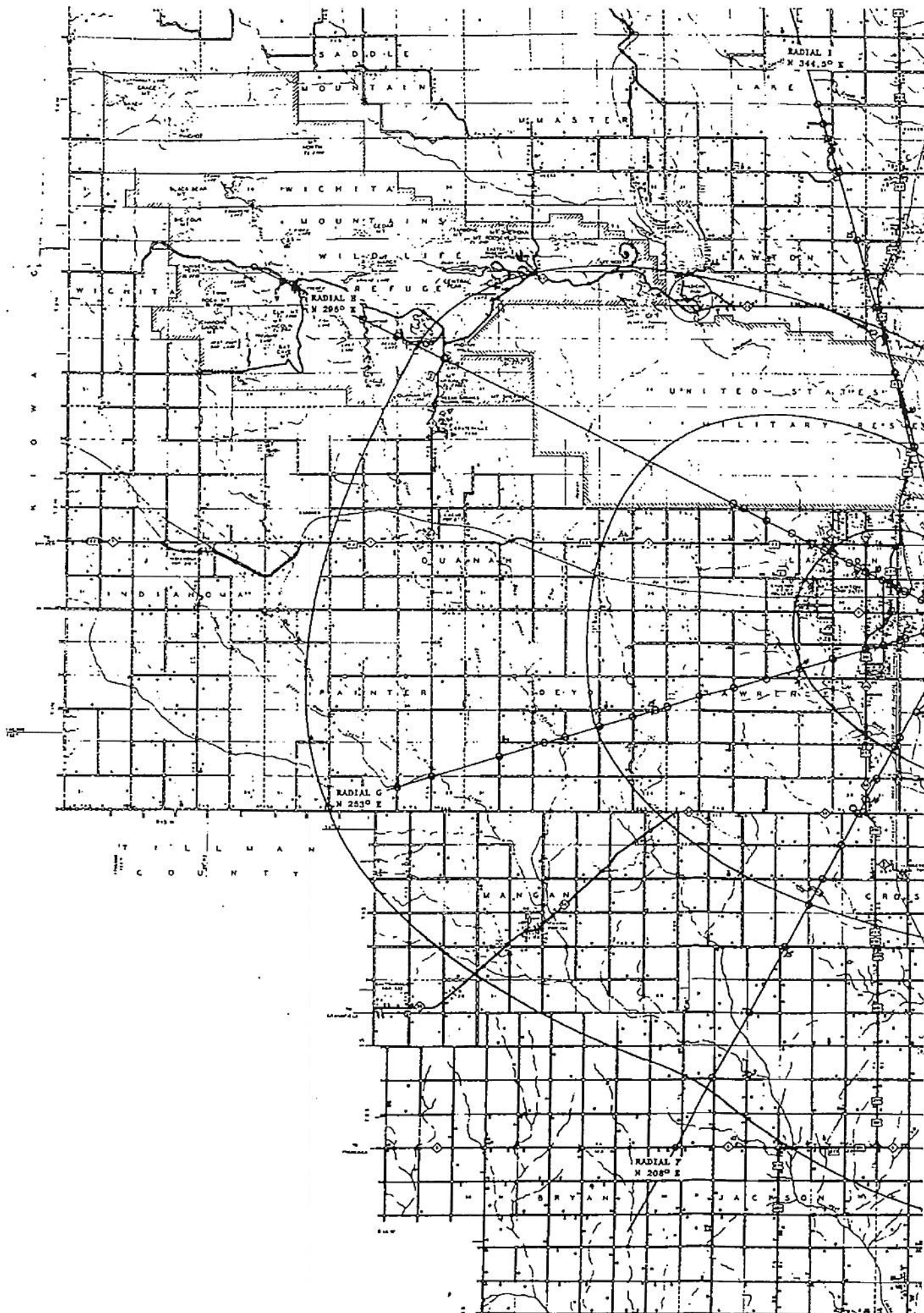


FIGURE 6
 LOCATION OF MEASURING POINTS
 &
 MEASURED FIELD INTENSITY CONTOURS
 KCCO - 1050 KC - LAWTON, OKLA.
 250 Watts DA - D

SCALE



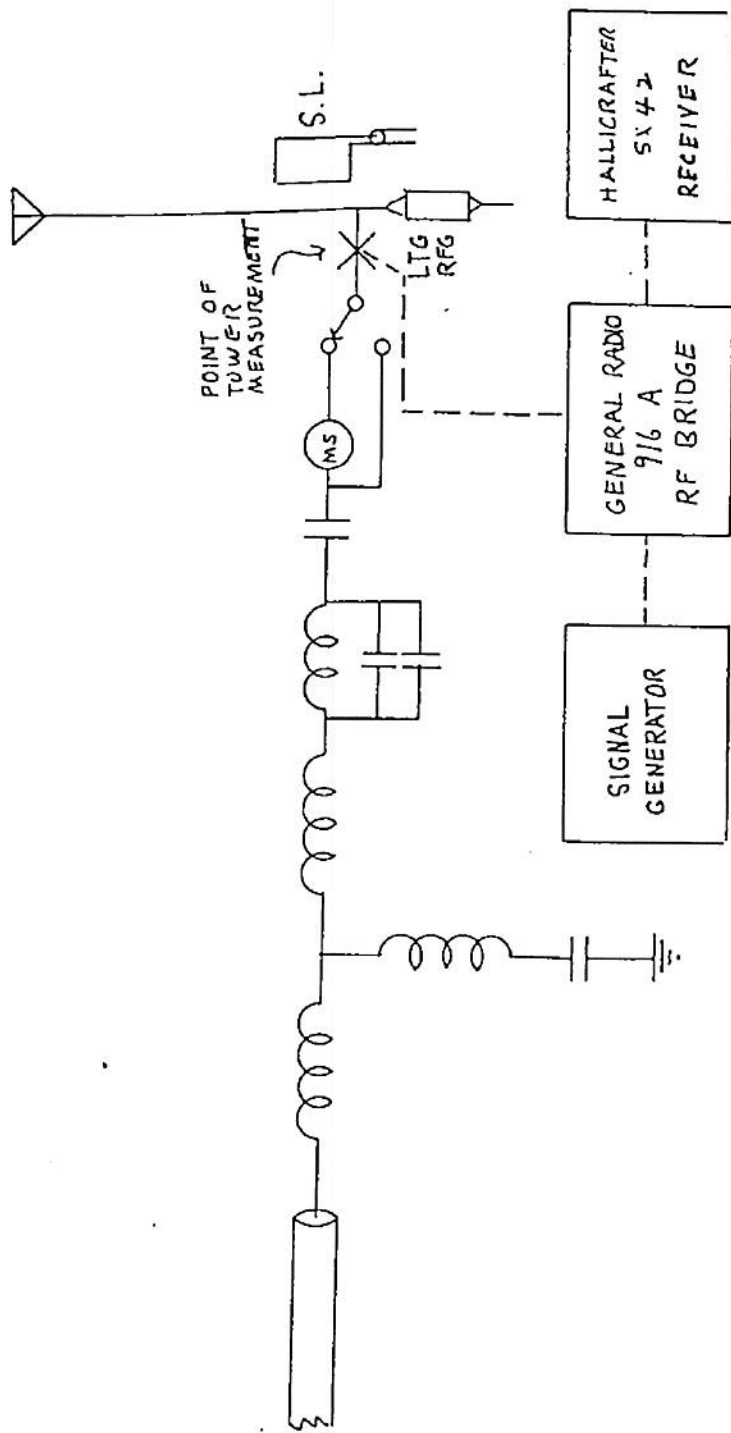


Figure 5
 NON-DIRECTIONAL ANTENNA COUPLING
 KCCO - 1050 KC - LAWTON, OKLA.
 250 Watts DA-D

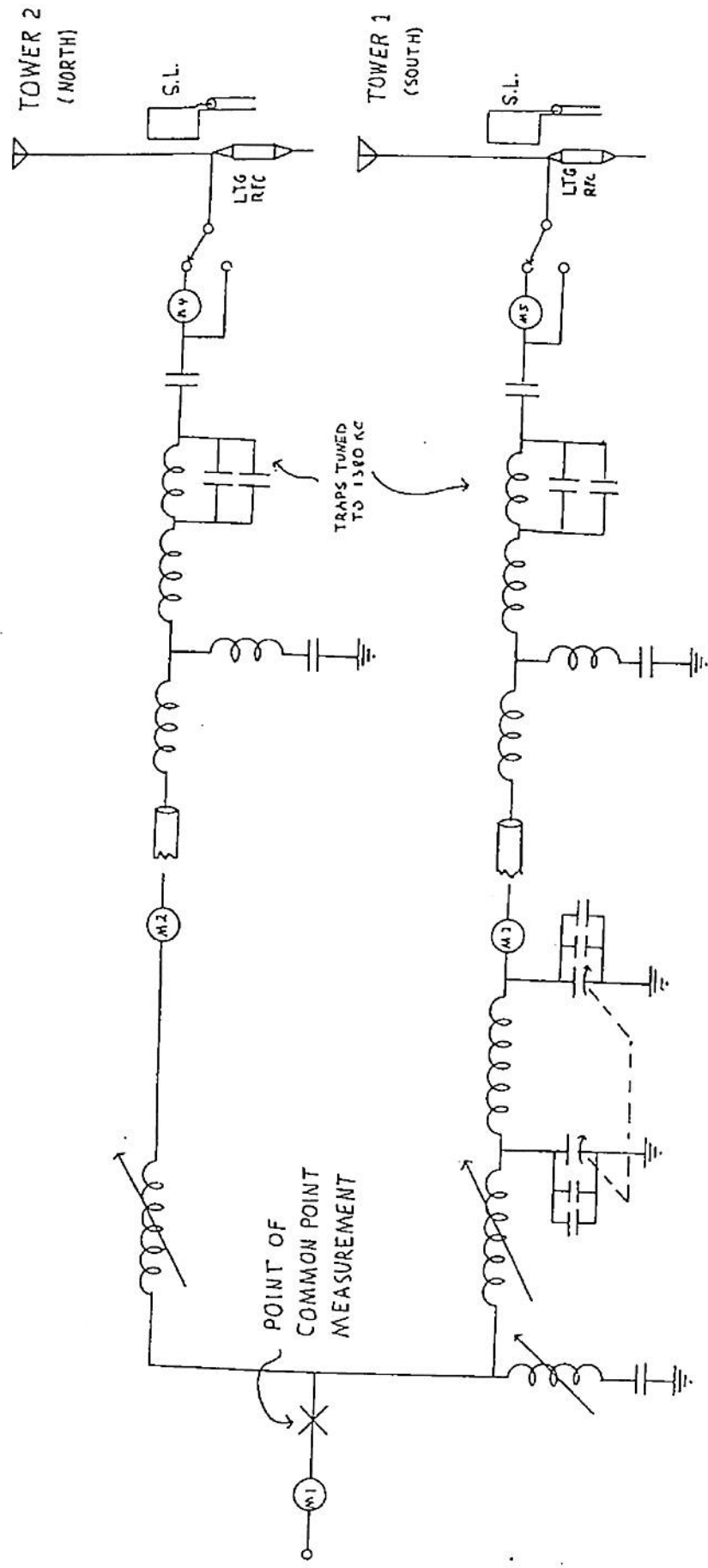


Figure 4
 ANTENNA SCHEMATIC DIAGRAM
 KCCO - 10 50 KC - LAWTON, OKLA.
 250 Watts DA-D